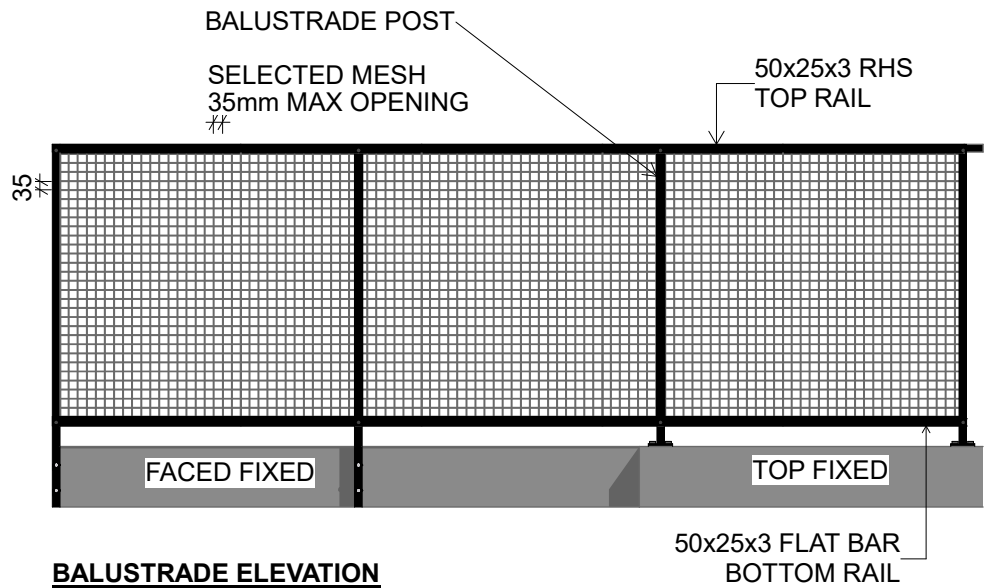
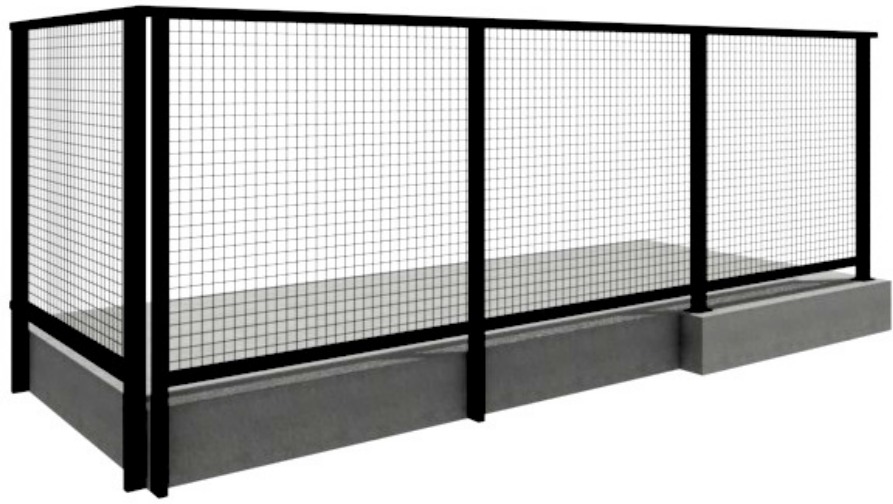
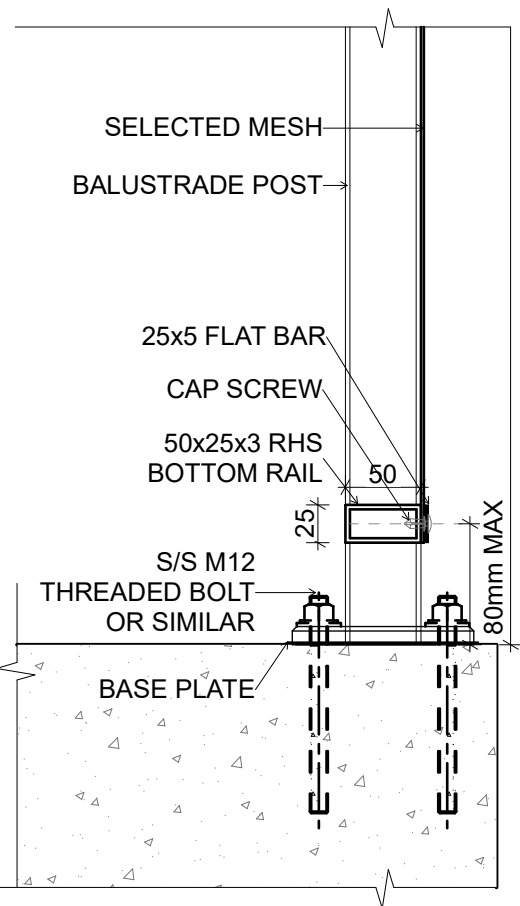


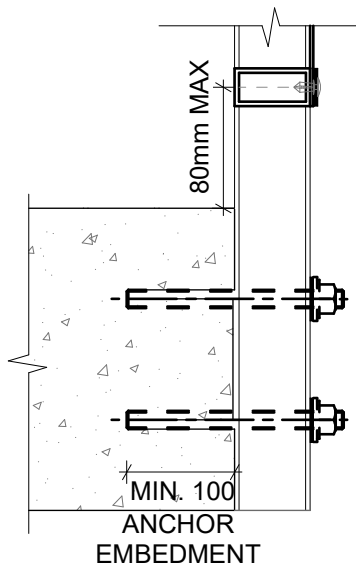
BALUSTRADE SECTION
SCALE 1:5 @ A4



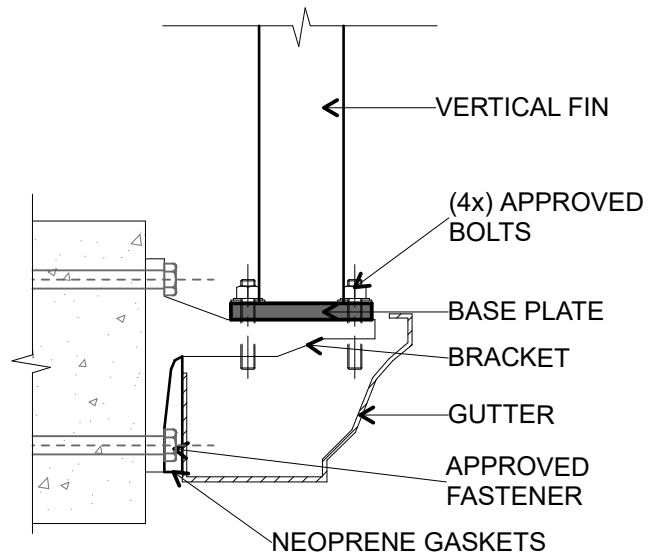
BALUSTRADE ELEVATION
SCALE 1:25 @ A4



TOP FIXED TO CONCRETE
SCALE 1:5 @ A4



FACE FIX OPTION
SCALE 1:5 @ A4



GUTTER BRACKET OPTION
SCALE 1:5 @ A4



90 COLERIDGE STREET
SYDENHAM
CHRISTCHURCH 8023
PH 03 365 4424
info@handrailsolutions.co.nz
www.handrailsolutions.co.nz
facebook.com/handrailsolutions

Balustrade with Mesh Infill